

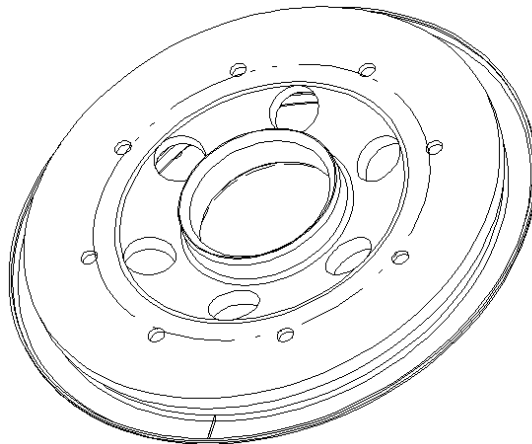
## ***PRODUCT IMPROVEMENTS- PH3519A***

*July, 2000*

**As part of an ongoing product improvement project, the FRAM PH3519 has been superseded to the PH3519A**

Product changes are centered around the filter's bottom assembly which was thickened to add strength. The key benefit to this increased strength is a higher resistance to distortion during the wide range of pressures that can be experienced during use.

A drawing of the new bottom assembly (viewed from the inside of the filter looking out) is below



Also, the hole pattern was changed from 8 to 6. Fewer holes provide additional strength to the assembly as well.

**Honeywell**